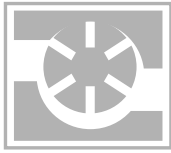


ERSATZTEILE KOMPRESSOR WPT
PIECES DE RECHANGE COMPRESSEUR WPT



WPT 480 - 600 - 720 / M - P - D



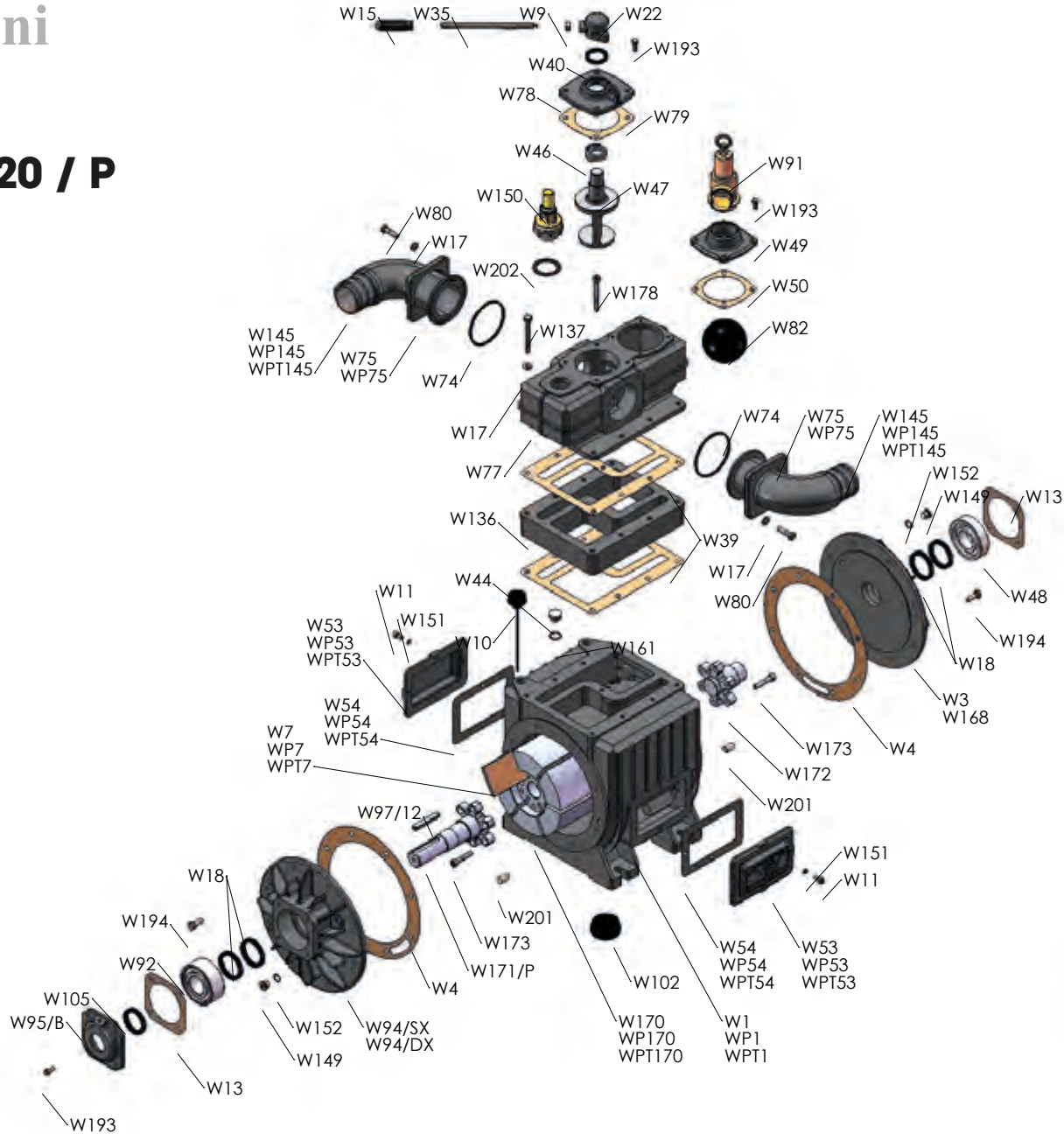
Battioni®
Pagani

ERSATZTEILBLATT - PUMPEN WPT 480-600-720

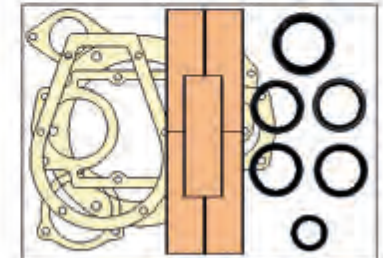


WPT 480-600-720 / P

Rel. 0 del 15.01.2018



REBUILD KIT
W200/SP
WP200/SP
WPT200/SP
W200/SP/FR
WP200/SP/FR
WPT200/SP/FR





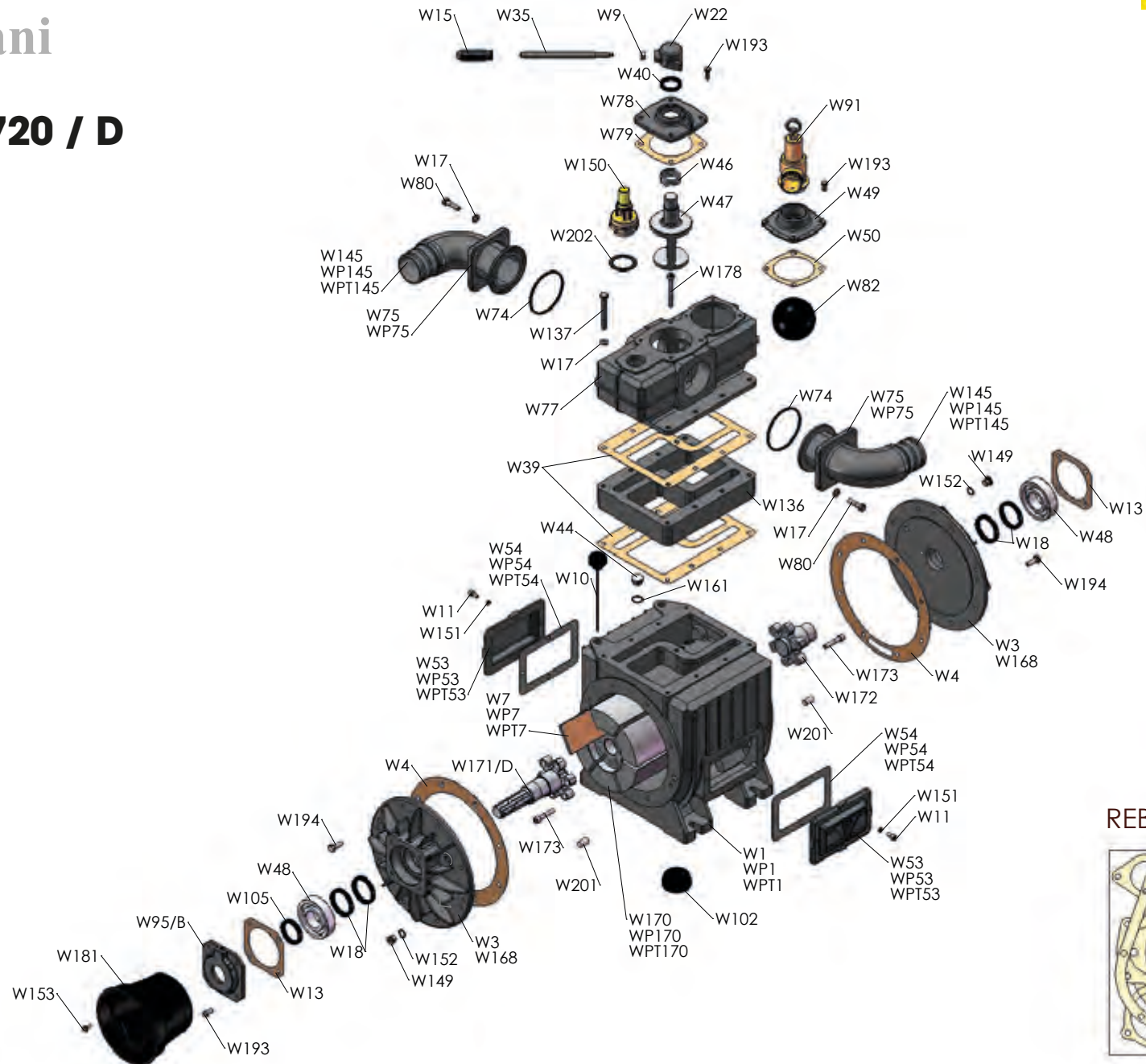
Battioni®
Pagani

ERSATZTEILBLATT - PUMPEN WPT 480-600-720



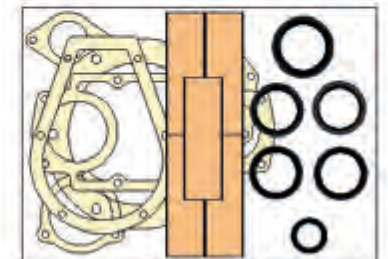
WPT 480-600-720 / D

Rel. 0 del 15.01.2018



W200/SP
WP200/SP
WPT200/SP
W200/SP/FR
WP200/SP/FR
WPT200/SP/FR

REBUILD KIT





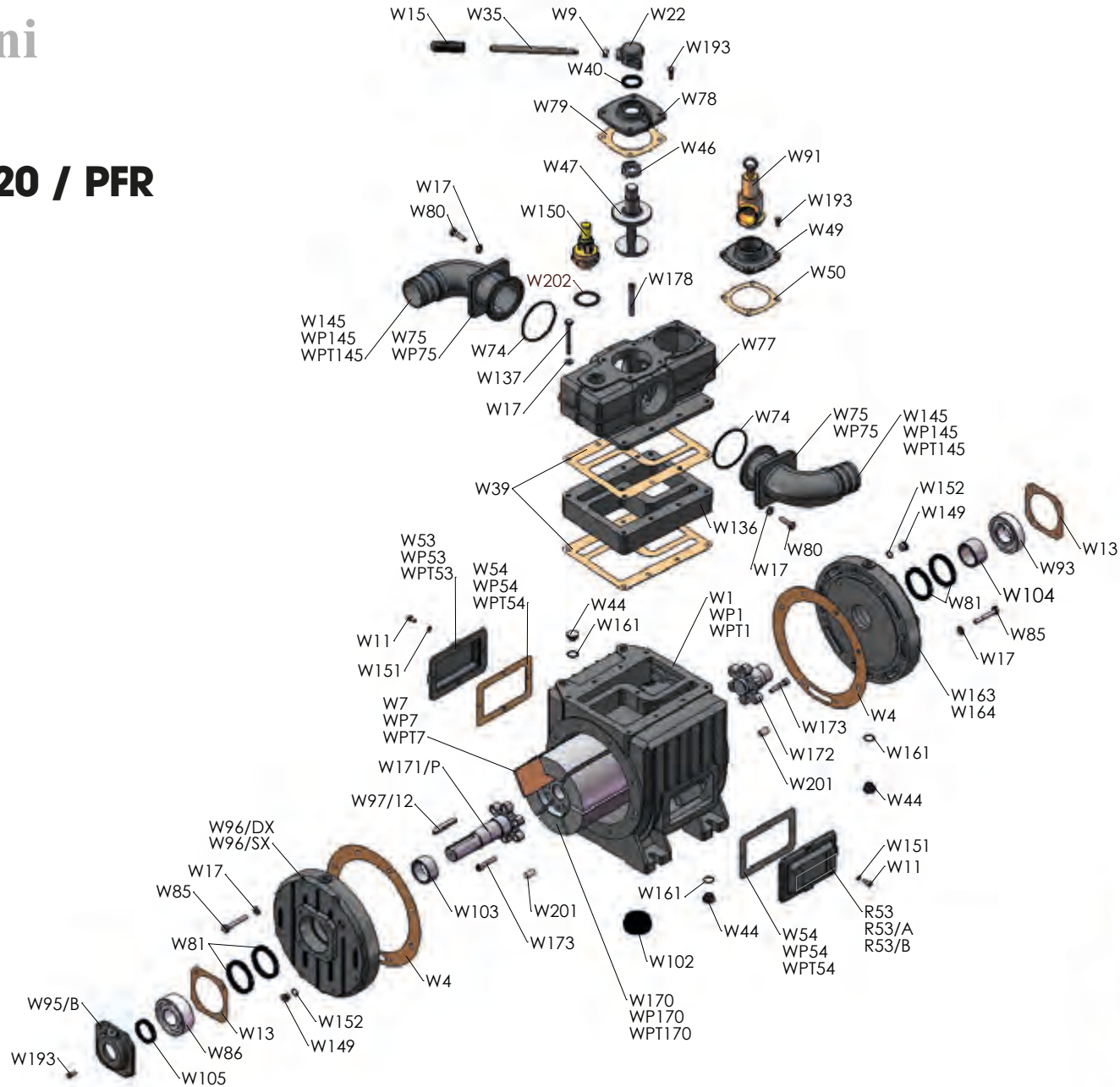
Battioni®
Pagani



WPT 480-600-720 / PFR

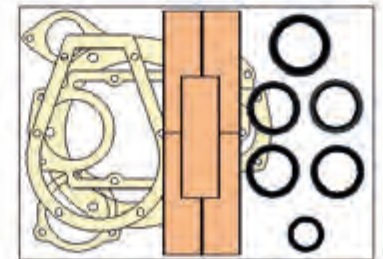
Rel. 0 del 15.01.2018

ERSATZTEILBLATT - PUMPEN WPT 480-600-720



W200/SP
WP200/SP
WPT200/SP
W200/SP/FR
WP200/SP/FR
WPT200/SP/FR

REBUILD KIT





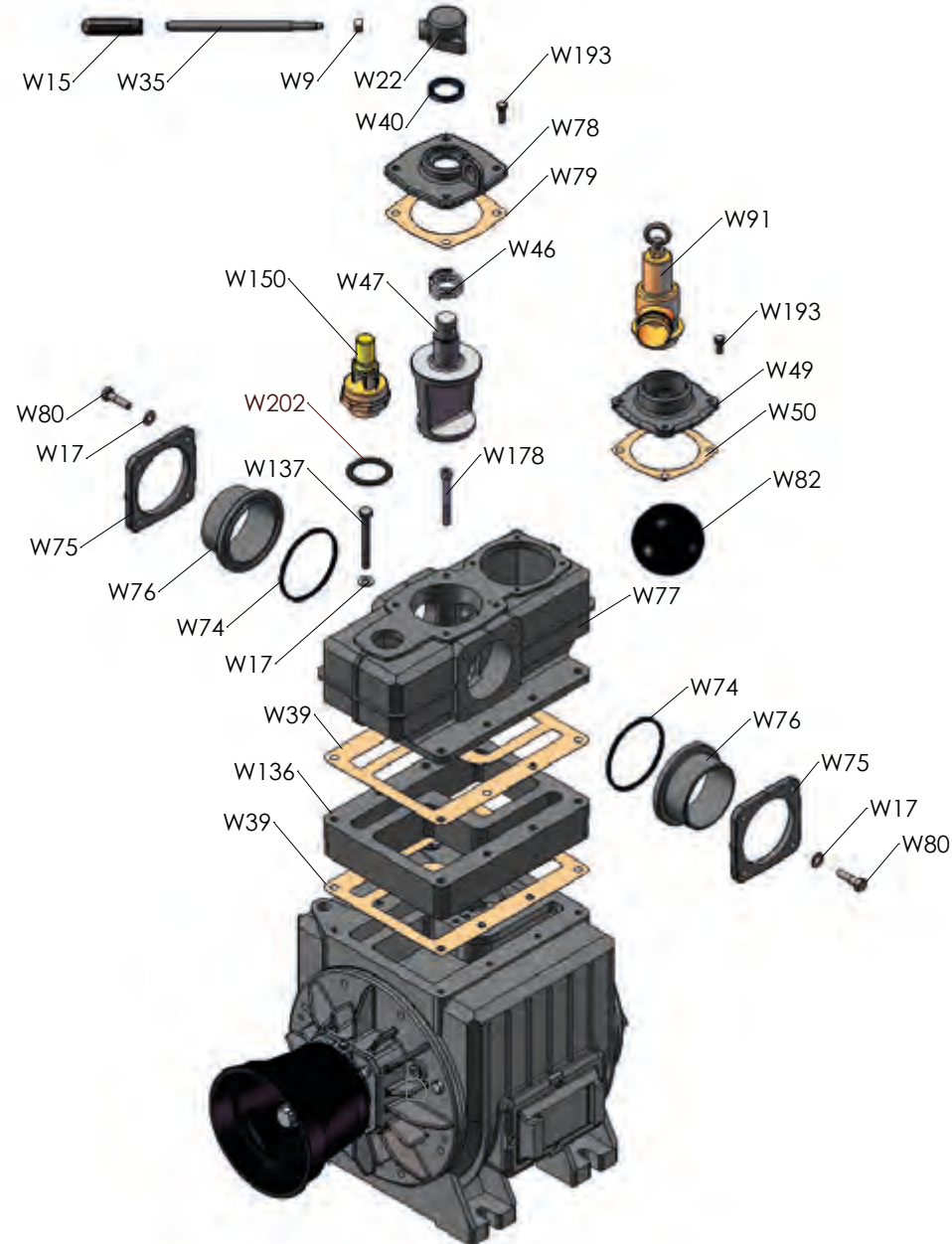
Battioni®
Pagani

ERSATZTEILBLATT - PUMPEN WPT 480-600-720



WPT 480-600-720 / SIDE OUTLET WITH COUPLING

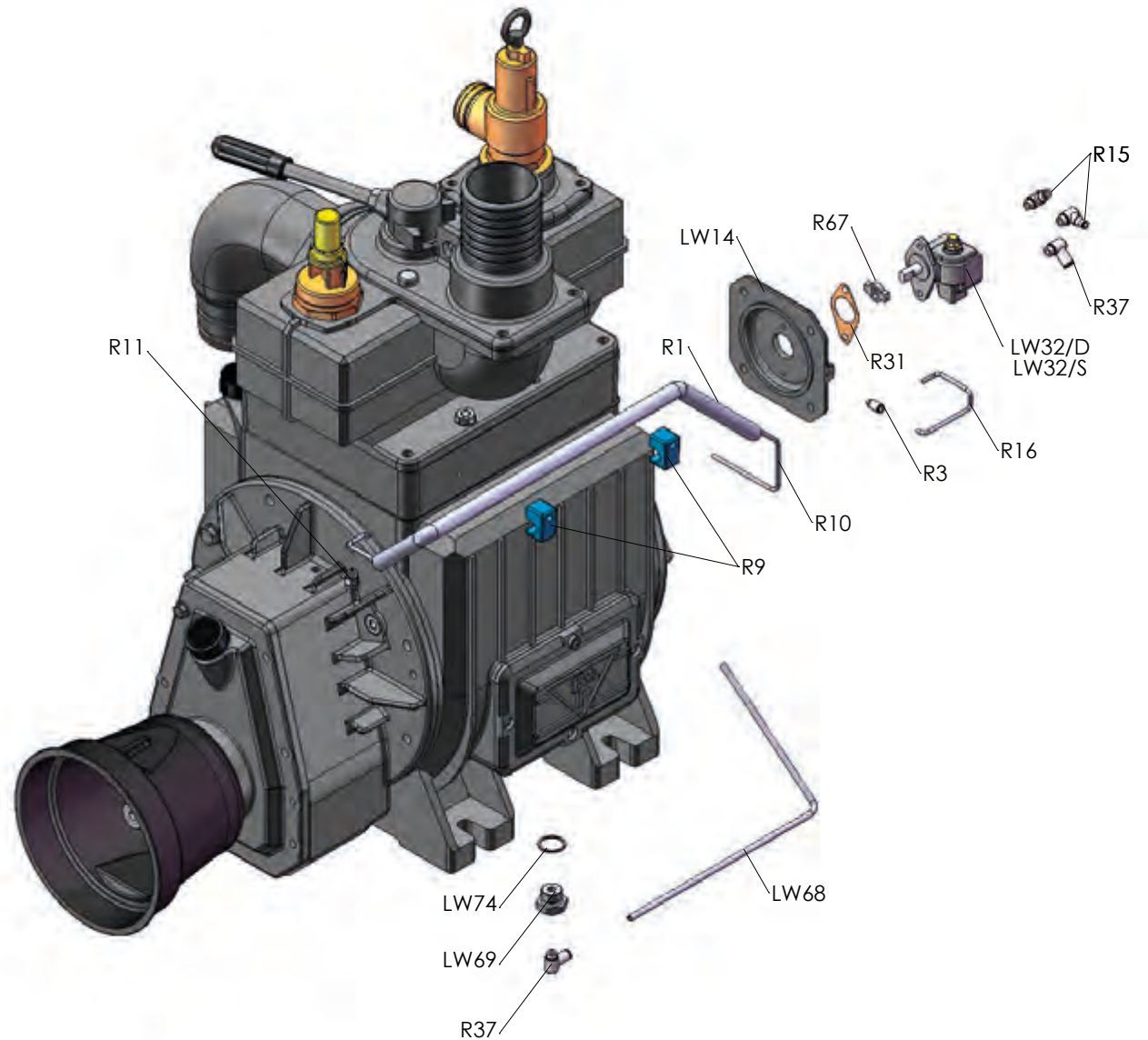
Rel. 0 del 15.01.2018





AUTOMATIC LUBRICATION WPT 480

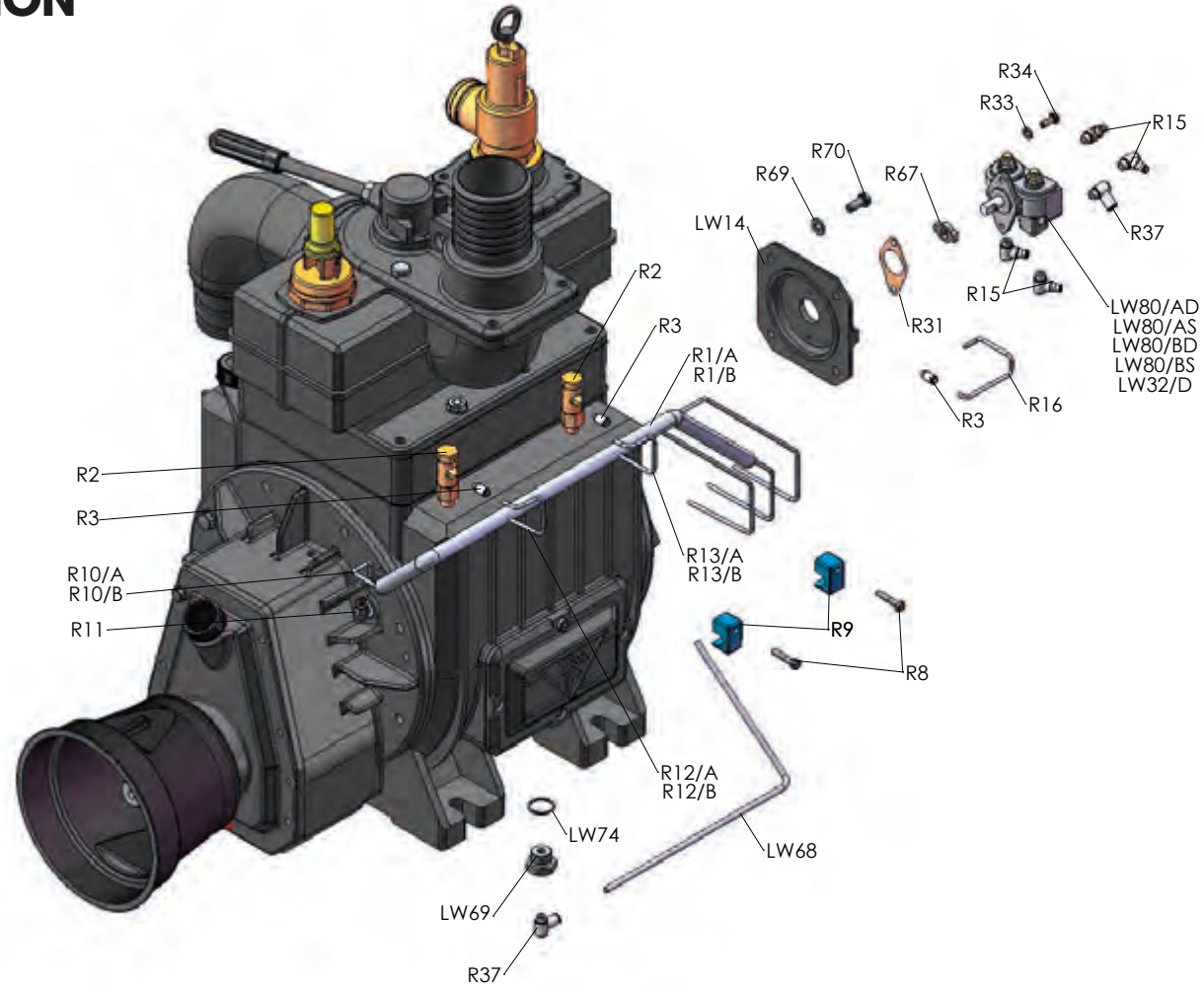
Rel. 0 del 15.01.2018





AUTOMATIC LUBRICATION WPT 600-720

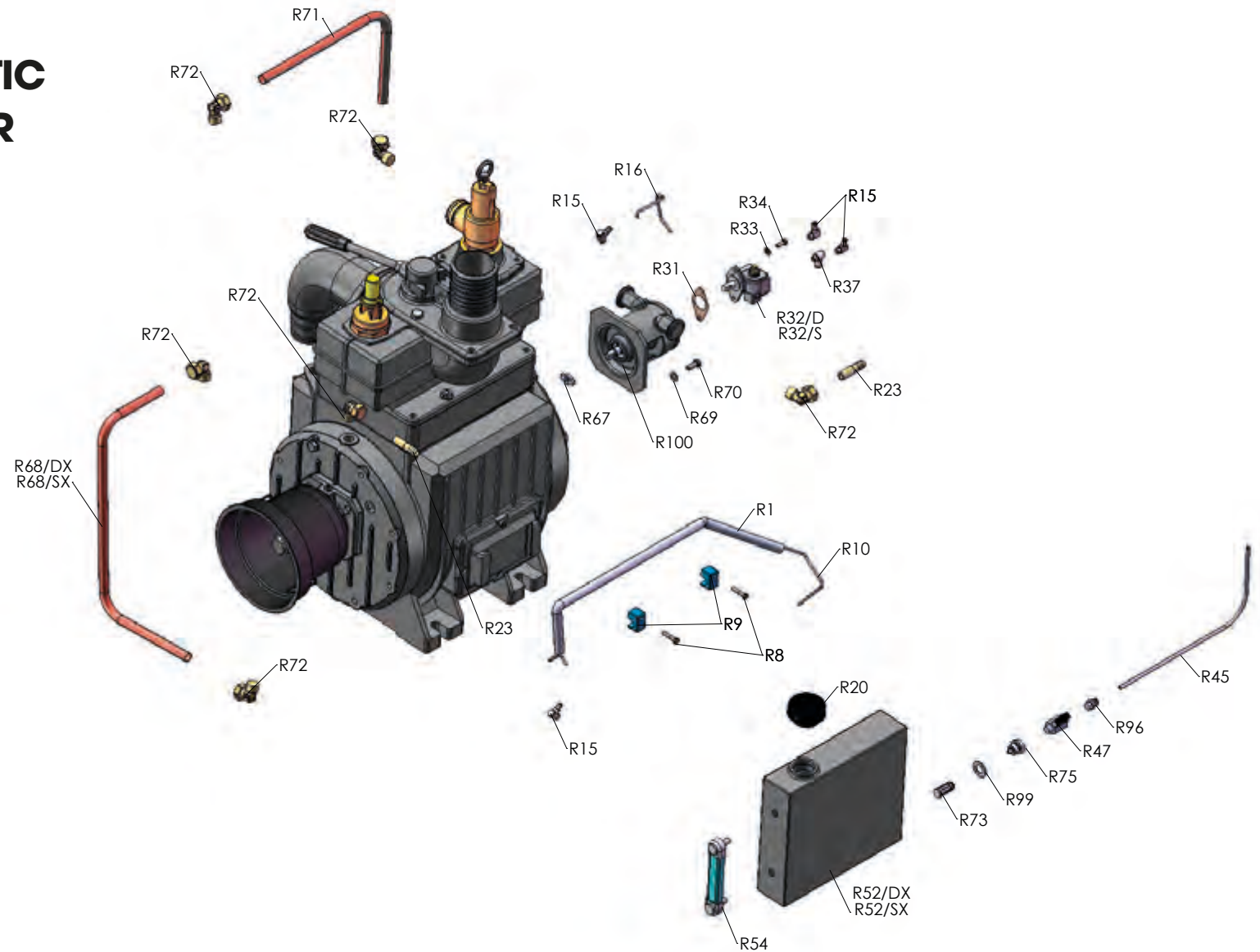
Rel. 0 del 15.01.2018





COOLING AND AUTOMATIC LUBRICATION WPT 480/FR

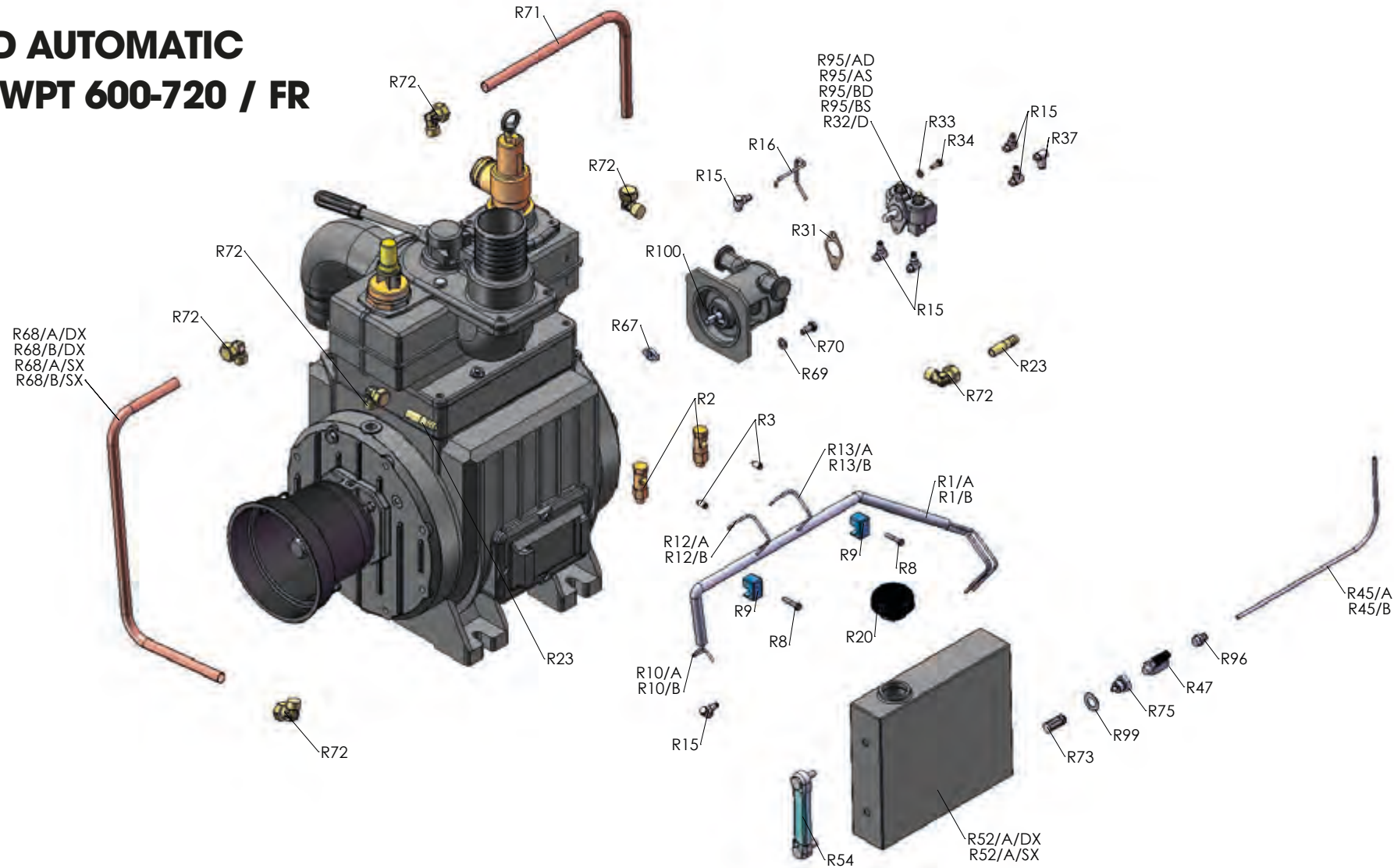
Rel. 0 del 15.01.2018





COOLING AND AUTOMATIC LUBRICATION WPT 600-720 / FR

Rel. 0 del 15.01.2018





WPT

| <i>Articolo</i> (Article) | <i>Codice</i> (Code) | <i>Descrizione</i> | <i>(Description)</i> | <i>Q.ty</i> | <i>Um</i> |
|------------------------------|-------------------------|--|---|-------------|-----------|
| W1 | 4010101016 | CORPO POMPA WPT 480 | HOUSING - WPT 480 | 1 | pcs |
| WP1 | 4010101017 | CORPO POMPA WPT 600 | HOUSING - WPT 600 | 1 | pcs |
| WPT1 | 4010101018 | CORPO POMPA WPT 720 | HOUSING - WPT 720 | 1 | pcs |
| W3 | 4010401016 | FLANGIA ANTERIORE DX - POSTERIORE SX WPT | RIGHT FRONT FLANGE-LEFT REAR FLANGE WPT | 2 | pcs |
| W4 | 4030108022 | GUARN. FLANGIA WPT | FLANGE GASKET - WPT | 2 | pcs |
| W6/12 | 5050707029 | CHIAVETTA 12X8X30 | KEY - 12X8X30 | 1 | pcs |
| W7 | 4070113160 | PALETTA LONG LIFE - WPT 480 300X73.5X7.5 | LONG LIFE BLADE - WPT 480 300X73.5X7.5 | 6 | pcs |
| WP7 | 4070113161 | PALETTA LONG LIFE - WPT 600 400X73.5X7.5 | LONG LIFE BLADE - WPT 600 400X73.5X7.5 | 6 | pcs |
| WPT7 | 4070113162 | PALETTA LONG LIFE - WPT 720 500X73.5X7.5 | LONG LIFE BLADE - WPT 720 500X73.5X7.5 | 6 | pcs |
| W9 | 5050307004 | DADO M 12 | NUT - M 12 | 1 | pcs |
| W10 | 5060605003 | TAPPO CARICO OLIO D 1/2" GAS CON ASTA | OIL CHARGE PLUG WITH ROD - D 1/2" GAS | 1 | pcs |
| W11 | 5050107015 | VITE M 8X16 TCEI | SCREW - M 8X16 TCEI | 16 | pcs |
| W12 | 5012107011 | CUSCINETTO A SFERE 6308 | BALL BEARING - 6308 | 1 | pcs |
| W13 | 4030108023 | GUARN. COPERCHIO ANT. E POST. WPT | BACK COVER GASKET - WPT | 2 | pcs |
| W15 | 5060010001 | POMOLO MANIGLIA WPT-SE-STAR | HANDLE KNOB - D 3/8" GAS | 1 | pcs |
| W16 | 5050107021 | VITE M 10X30 TE | SCREW M 10X30 TE | 4 | pcs |
| W17 | 5050207004 | RONDELLA D 10 | SMOOTH WASHER - D 10 | 37 | pcs |
| W18 | 5030300017 | PARAOLIO 52X68X10 | OIL SEAL - 52X68X10 | 4 | pcs |



WPT

| Articolo (Article) | Codice (Code) | Descrizione | (Description) | Q.ty | Um |
|-----------------------|------------------|--------------------------------------|--------------------------------|------|-----|
| W21 | 5060605002 | TAPPO CARICO OLIO D 1/2" GAS -VALV.- | OIL PLUG - D 1/2" GAS | 1 | pcs |
| W22 | 4010801005 | SELETTORE INVERTITORE STAR-WPT | REVERSE SELECTOR - STAR-WPT | 1 | pcs |
| W23 | 5050107018 | VITE M 10X16 TE | SCREW - M 10X16 TE | 1 | pcs |
| W24 | 5050202002 | RONDELLA D 10X16X1,5 ALLUMINIO | ALUMINIUM WASHER - D 10X16X1,5 | 1 | pcs |
| W25 | 5012107009 | CUSCINETTO A SFERE 6306 | BALL BEARING - 6306 | 1 | pcs |
| W27 | 5030300014 | PARAOLIO 40X62X10 | OIL SEAL - 40X62X10 | 1 | pcs |
| W30 | 5060105004 | TAPPO LIVELLO OLIO D 3/8" GAS | OIL LEVEL PLUG - D 3/8" GAS | 1 | pcs |
| W32 | 5050300004 | DADO AUTOBLOCCANTE M 36X2X28 | SELF-LOCKING NUT - M 36X2X28 | 1 | pcs |
| W35 | 4011912001 | PERNO MANIGLIA STAR-WPT | HANDLE PIN - STAR-WPT | 1 | pcs |
| W39 | 4030109020 | GUARN. COLLETTORE WPT | MANIFOLD GASKET - WPT | 2 | pcs |
| W40 | 5030300015 | PARAOLIO 35X50X7 TC | OIL SEAL - 35X50X7 | 1 | pcs |
| W44 | 5050906002 | TAPPO D 1/2" GAS SCARICO WPT | PLUG - D 1/2" GAS | 3 | pcs |
| W46 | 4012007004 | MOLLA STAR-WPT | SPRING - STAR-WPT | 1 | pcs |
| W47 | 4010701010 | CONO INVERTITORE STAR - WPT | REVERSING GEAR - STAR - WPT | 1 | pcs |
| W48 | 5012107012 | CUSCINETTO A SFERE 6309 | BALL BEARING - 6309 | 2 | pcs |
| W49 | 4010601047 | COPERCHIO PORTAVALVOLA WPT | VALVE COVER - WPT | 1 | pcs |
| W50 | 4030109021 | GUARN. COPERCHIO PORTAVALVOLA WPT | VALVE COVER GASKET - WPT | 1 | pcs |
| W53 | 4010601048 | COPERCHIO LATERALE CORPO WPT 480 | BODY SIDE COVER - WPT 480 | 2 | pcs |



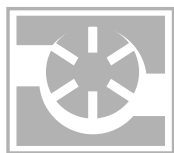
WPT

| <i>Articolo</i> (Article) | <i>Codice</i> (Code) | <i>Descrizione</i> | <i>(Description)</i> | <i>Q.ty</i> | <i>Um</i> |
|------------------------------|-------------------------|--|--|-------------|-----------|
| WP53 | 4010601049 | COPERCHIO LATERALE CORPO WPT 600 | BODY SIDE COVER - WPT 600 | 2 | pcs |
| WPT53 | 4010601050 | COPERCHIO LATERALE CORPO WPT 720 | BODY SIDE COVER - WPT 720 | 2 | pcs |
| W54 | 4030109022 | GUARN. COPERCHIO LATERALE WPT 480 | SIDE COVER GASKET - WPT 480 | 2 | pcs |
| WP54 | 4030109023 | GUARN. COPERCHIO LATERALE WPT 600 | SIDE COVER GASKET - WPT 600 | 2 | pcs |
| WPT54 | 4030109024 | GUARN. COPERCHIO LATERALE WPT 720 | SIDE COVER GASKET - WPT 720 | 2 | pcs |
| W65/12 | 5050707028 | CHIAVETTA 12X8X50 | KEY - 12X8X50 | 1 | pcs |
| W72/3/12 | 4020107019 | MANICOTTO TRASM. MOT. IDR. WPT GR3 (II) | HYDR. MOTOR TRANSM. COUPLING STAR-WPT GR | 1 | pcs |
| W72/4/12 | 4020107018 | MANICOTTO TRASM. MOT. IDR. STAR-WPT (II) | HYDR. MOTOR TRANSM. COUPLING STAR-WPT | 1 | pcs |
| W73/3 | 4011001021 | SUPPORTO MOTORE IDR. WPT/H GR. 3 | HYDRAULIC MOTOR SUPPORT WPT/H GR. 3 | 1 | pcs |
| W73/4 | 4011001043 | SUPPORTO MOTORE IDR. WPT/HFR GR. 4 | HYDRAULIC MOTOR SUPPORT WPT/HFR GR. 4 | 1 | pcs |
| W74 | 5030210008 | ANELLO TENUTA OR 189 STAR UL | SEAL RING - OR 189 STAR UL | 1 | pcs |
| W75 | 4010401022 | FLANGIA ATTACCO D 100 WPT UL | FLANGE D 100 - WPT SIDE OUTLETS | 2 | pcs |
| WP75 | 4010406003 | FLANGIA PREMICURVA WPT N.V.E. D76-D80 | SUPPORT FLANGE - WPT N.V.E. | 2 | pcs |
| W76 | 4011501003 | CANNOTTO PORTATUBO WPT UL | SLEEVE - WPT UL | 2 | pcs |
| W77 | 4010501011 | COLLETTORE WPT UL | MANIFOLD - WPT UL | 1 | pcs |
| W78 | 4010601056 | COPERCHIO COLLETTORE WPT/STAR UL | MANIFOLD COVER - WPT/STAR UL | 1 | pcs |
| W79 | 4030109025 | GUARN. COPERCHIO COLL. STAR-WPT UL | MANIFOLD COVER GASKET - STAR-WPT UL | 1 | pcs |
| W80 | 5050107022 | VITE M 10X40 TE | SCREW - M 10X40 TE | 8 | pcs |



WPT

| <i>Articolo</i> <i>(Article)</i> | <i>Codice</i> <i>(Code)</i> | <i>Descrizione</i> | <i>(Description)</i> | <i>Q.ty</i> | <i>Um</i> |
|-------------------------------------|--------------------------------|---------------------------------------|--------------------------------------|-------------|-----------|
| W81 | 5030300016 | PARAOLIO 65X85X10 | OIL SEAL - 65X85X10 | 4 | pcs |
| W82 | 5060410008 | SFERA IN GOMMA PESANTE D 100 | RUBBER BALL - D 100 | 1 | pcs |
| W83 | 4010401017 | FLANGIA RAFFR. POSTERIORE WPT/M-K-G | BACK COOLED FLANGE - WPT/M-K-G | 1 | pcs |
| W85 | 5050107023 | VITE M 10X70 TE | SCREW - M 10X70 TE | 16 | pcs |
| W86 | 5012107016 | CUSCINETTO A RULLI NJ 2309 | ROLLER BEARING - NJ 2309 | 1 | pcs |
| W91 | 5100200011 | VALVOLA SOVRAPRESSIONE D 2" CON PORT. | OVER-PRESSURE VALVE - D 2" WITH HOSE | 1 | pcs |
| W92 | 5012107013 | CUSCINETTO A SFERE 3309 | BALL BEARING - 3309 | 1 | pcs |
| W93 | 5012107015 | CUSCINETTO A RULLI NJ 309 | ROLLER BEARING - NJ 309 | 2 | pcs |
| W94/SX | 4010401050 | FLANGIA ANTERIORE SX - WPT/P-PR | FRONT FLANGE - WPT/P-PR SX | 1 | pcs |
| W94/DX | 4010401021 | FLANGIA ANTERIORE WPT/P-PR DX | FRONT FLANGE - WPT/P-PR DX | 1 | pcs |
| W95/B | 4010601133 | COPERCHIO ANTERIORE WPT /P-D | FRONT COVER - WPT /P-D | 1 | pcs |
| W96/DX | 4010401018 | FLANGIA RAFFR. ANT. WPT/P DX | FRONT COOLING FLANGE - WPT/P DX | 1 | pcs |
| W96/SX | 4010401020 | FLANGIA RAFFR. ANT. WPT /PFR SX | FRONT COOLING FLANGE - WPT /PFR SX | 1 | pcs |
| W97/12 | 5050707016 | CHIAVETTA 12X8X80 | KEY - 12X8X80 | 1 | pcs |
| W102 | 5050906007 | TAPPO D 2" GAS - DIN 908 | PLUG - D 2" GAS | 1 | pcs |
| W103 | 4011707003 | BOCCOLA ROTORE 65X52X30 WPT/PFR | ROTOR BUSHING - 65X52X30 WPT/PFR | 1 | pcs |
| W104 | 4011707004 | BOCCOLA ROTORE 65X52X36 WPT/.FR | ROTOR BUSHING - 65X52X36 WPT/.FR | 2 | pcs |
| W105 | 5030300031 | PARAOLIO 45X62X10 | OIL SEAL - 45X62X10 | 1 | pcs |



WPT

| <i>Articolo</i> (Article) | <i>Codice</i> (Code) | <i>Descrizione</i> | <i>(Description)</i> | <i>Q.ty</i> | <i>Um</i> |
|------------------------------|-------------------------|---|---------------------------------------|-------------|-----------|
| W118 | 4010001016 | PULEGGIA WPT - KTM 1200-1500 | PULLEY - WPT - KTM 1200-1500 | 1 | pcs |
| W119 | 5021000001 | FRIZIONE PNEUMATICA GA 50 FF | PNEUMATIC CLUTCH - GA 50 FF | 1 | pcs |
| W120 | 4010601089 | COPERCHIO PULEGGIA WSM | PULLEY COVER - WSM | 1 | pcs |
| W121 | 5030300034 | PARAOLIO 80X110X10 | OIL SEAL - 80X110X10 | 2 | pcs |
| W122 | 5012107020 | CUSCINETTO A RULLI NU 1016 | ROLLER BEARING - PULLEY NU 1016 | 2 | pcs |
| W123 | 4012007005 | MOLLA PER FRIZIONE WSM | SPRING - WSM CLUTCH | 4 | pcs |
| W125 | 5050707024 | CHIAVETTA 14X9X45 | KEY - 14X9X45 | 1 | pcs |
| W126/12 | 4020107020 | MANICOTTO COLLEG. FRIZIONE WPT II SERIE | CLUTCH CONNECT. COUPLING WPT II SERIE | 1 | pcs |
| W127 | 5050107016 | VITE M 8X25 TCEI | SCREW - M 8X25 TCEI | 8 | pcs |
| W128 | 5050107065 | VITE M 6X55 TCEI | SCREW - M 6X55 TCEI | 4 | pcs |
| W129 | 4050412006 | PRIGIONIERO M 6X30 UNI 5911 | STUD BOLT - M 6X60 | 4 | pcs |
| W130 | 5050300008 | DADO AUTOBLOCCANTE M 6 | SELF-LOCKING NUT - M 6 | 4 | pcs |
| W131 | 5050107067 | VITE M 6X30 TE | SCREW - M 6X30 TE | 8 | pcs |
| W132 | 5050107068 | VITE M 10X160 TCEI | SCREW - M 10X160 TCEI | 1 | pcs |
| W133 | 5050507008 | ANELLO SEEGER D 80 E | CIRCLIP - D 80 E | 2 | pcs |
| W134 | 4010601106 | COPERCHIO POSTERIORE PULEGGIA WPT-KTM | PULLEY BACK COVER - WPT-KTM | 1 | pcs |
| W135 | 4011707027 | ANELLO FERMO PER PULEGGIA WPT-KTM | PULLEY FASTENER RING - PULLEY WPT-KTM | 2 | pcs |
| W136 | 4011707030 | DISTANZIALE COLLETTORE WPT | MANIFOLD SPACER - WPT | 1 | pcs |



WPT

| <i>Articolo</i> (Article) | <i>Codice</i> (Code) | <i>Descrizione</i> | <i>(Description)</i> | <i>Q.ty</i> | <i>Um</i> |
|------------------------------|-------------------------|--|---|-------------|-----------|
| W137 | 5050107076 | VITE M 10X90 TE | SCREW - M 10X90 TE | 7 | pcs |
| W145 | 4010901015 | CURVA DI SCARICO ORIENT. WPT D 80 | REVOLVING ELBOW - WPT D 80 | 2 | pcs |
| WP145 | 4010901008 | CURVA DI SCARICO ORIENT. WPT D 76 | REVOLVING ELBOW - WPT D 76 | 2 | pcs |
| WPT145 | 4010901017 | CURVA DI SCARICO ORIENT. WPT D 100 | REVOLVING ELBOW - WPT D 100 | 2 | pcs |
| W149 | 5050906006 | TAPPO D 16x1.5 - DIN 908 - | PLUG - D 16X1 | 2 | pcs |
| W150 | 5100200012 | VALVOLA REGOLAZIONE VUOTO D 1"1/2 | DEPRESSION VALVE - D 1"1/2 | 1 | pcs |
| W151 | 5050202001 | RONDELLA D 8X12X1,5 ALLUMINIO | ALUMINIUM WASHER - D 8X12X1,5 | 16 | pcs |
| W152 | 5050202007 | RONDELLA D 16X20X1,5 ALLUMINIO | ALUMINIUM WASHER - D 16X20X1,5 | 2 | pcs |
| W153 | 5050107084 | VITE M 6x16 TEF - FL/ZIGR 8.8 - | SCREW - M 6X16 TEF | 4 | pcs |
| W154 | 5050107028 | VITE M 12X35 TE | SCREW - M 12X35 TE | 4 | pcs |
| W155 | 5050207005 | RONDELLA D 12 | SMOOTH WASHER - D 12 | 4 | pcs |
| W156 | 4010401008 | FLANGIA SUPPORTO DECOMPR. WPT/G | PUMP SUPPORT FLANGE - WPT/G | 1 | pcs |
| W157 | 4030108047 | GUARN. FLANGIA SUPP. DECOMP. STAR-SE/G | DECOMPRESS. SUPPORT GASKET - STAR-SE/G | 1 | pcs |
| W158/12 | 4020607045 | PIGNONE DEC. GARDA WPT/G Z45-M3 12MM | GARDA PINION - Z45-M3 WPT/G 12MM | 1 | pcs |
| W159/12 | 4020607042 | PIGNONE DEC. GARDA WPT/GA Z56-M3 12MM | GARDA PINION - Z56-M3 WPT/GA 12MM | 1 | pcs |
| W160 | 5050107026 | VITE M 10X25 TCEI | SCREW - M 10X25 TCEI | 6 | pcs |
| W161 | 5050202004 | RONDELLA D 1/2" GAS ALLUMINIO | ALUMINIUM WASHER - D 1/2" GAS | 3 | pcs |
| W163 | 4010401048 | FLANGIA RAFFR. ANT. DX -POST. SX WPT | RIGHT FRONT COOLING FLANGE -BACK LEFT - | 1 | pcs |



WPT

| <i>Articolo</i> (Article) | <i>Codice</i> (Code) | <i>Descrizione</i> | <i>(Description)</i> | <i>Q.ty</i> | <i>Um</i> |
|------------------------------|-------------------------|--|--|-------------|-----------|
| W164 | 4010401019 | FLANGIA RAFFR. ANT. SX - POST. DX WPT | LEFT FRONT COOLING FLANGE -BACK RIGHT WP | 1 | pcs |
| W167 | 5030210060 | ANELLO DI TEN. SUPP. DEC. OR171.12x2.62 | SEAL RING - OR171.12x2.62 .../G | 1 | pcs |
| W168 | 4010401049 | FLANGIA ANTERIORE SX - POSTERIORE DX WPT | LEFT FRONT FLANGE - RIGHT BACK FLANGE - | 1 | pcs |
| W169/1000 | 4011707024 | ANELLO DI RID.SUPP.POMPA WPT 1000 GARDA | FLANGE RING NUT - WPT/G 1000 RPM | 1 | pcs |
| W170 | 4010220133 | ROTORE COLATA CONTINUA WPT 480 | CONTINUOUS CASTING ROTOR - WPT 480 | 1 | pcs |
| WP170 | 4010220134 | ROTORE COLATA CONTINUA WPT 600 | CONTINUOUS CASTING ROTOR - WPT 600 | 1 | pcs |
| WPT170 | 4010220135 | ROTORE COLATA CONTINUA WPT 720 | CONTINUOUS CASTING ROTOR - WPT 720 | 1 | pcs |
| W171/M | 4011907068 | PERNO ANTERIORE WPT /M-K-G | FRONT PIN - WPT /M-K-G | 1 | pcs |
| W171/P | 4011907071 | PERNO ANTERIORE WPT /P | FRONT PIN - WPT /P | 1 | pcs |
| W171/H | 4011907070 | PERNO ANTERIORE WPT /H | FRONT PIN - WPT /D-H | 1 | pcs |
| W171/D | 4011912011 | PERNO ANTERIORE WPT /D - ISO 500 | FRONT PIN - WPT /D - ISO 500 | 1 | pcs |
| W171/M-MA | 4011907075 | PERNO ANTERIORE STAR-WPT /M-K-G-MA-KA | FRONT PIN - STAR /M-K-G | 1 | pcs |
| W172 | 4011907069 | PERNO POSTERIORE WPT | REAR PIN - WPT | 1 | pcs |
| W173 | 5050107103 | VITE M 10X50 TCEI 12.9 UNI5931 | SCREW - M 10X50 TCEI 12.9 UNI5931 | 12 | pcs |
| W174 | 4011707049 | ANELLO BLOCCAGGIO - STAR /G-GA | BEARING LOCKING RING - STAR /G-GA | 1 | pcs |
| W175 | 5050107008 | VITE M 6X16 TCEI | SCREW - M 6X16 TCEI | 4 | pcs |
| W178 | 5050107075 | VITE M 10X80 TCEI | SCREW - M 10X80 TCEI | 1 | pcs |
| W181 | 4060505018 | PROTEZIONE ALBERO GARDA-LEDRA CE | SHAFT GUARD - GARDA-LEDRA CE | 1 | pcs |



WPT

| <i>Articolo</i> (Article) | <i>Codice</i> (Code) | <i>Descrizione</i> | <i>(Description)</i> | <i>Q.ty</i> | <i>Um</i> |
|------------------------------|-------------------------|--|--------------------------------------|-------------|-----------|
| W183 | 4010601118 | COPERCHIO SCATOLA MOLT. SE-STAR-WPT/M-CE | GEARBOX COVER - SE-STAR/M - CE | 1 | pcs |
| W184 | 4030108019 | GUARN. COPERCHIO MOLT. STAR | GEARBOX COVER GASKET - STAR | 1 | pcs |
| W185/M | 4020507005 | INGR. CON ALBERO STAR-SE-WPT Z52-M2,5 | GEAR WITH SHAFT - Z52-M2,5 STAR-SE | 1 | pcs |
| W185/MA | 4020507009 | INGR. CON ALBERO STAR-WPT/MA Z44-M2,5 | GEAR WITH SHAFT - Z52-M2,5 STAR/MA | 1 | pcs |
| W186/M | 4020607040 | PIGNONE STAR-SE-WPT Z26-M2,5 10MM | PINION - Z26-M2,5 STAR-SE 10MM | 1 | pcs |
| W186/MA | 4020607041 | PIGNONE STAR-SE-WPT/MA Z34-M2,5 10MM | PINION - Z34-M2,5 STAR-SE /MA 10MM | 1 | pcs |
| W187 | 5050300005 | DADO AUTOBLOCCANTE M 30X2X19 | SELF-LOCKING NUT - M 30X2X19 | 1 | pcs |
| W188 | 5030300013 | PARAOLIO 55X68X8 | OIL SEAL - 55X68X8 | 2 | pcs |
| W189 | 5050107011 | VITE M 8X16 TE | SCREW - M 8X16 TE | 3 | pcs |
| W190 | 5050207022 | RONDELLA 8X23X4 - DIN 6340 | WASHER - 8X23X4 - DIN 6340 | 3 | pcs |
| W191 | 4010301027 | SCATOLA MOLT. WPT M/MA | GEARBOX - WPT M/MA | 1 | pcs |
| W192 | 5050707027 | CHIAVETTA 10X8X30 | KEY - 10X8X30 | 1 | pcs |
| W193 | 5050107108 | VITE M 8X25 TEF - FL/ZIGR 8.8 - | SCREW - M 8X25 TEF - FL/ZIGR 8.8 | 16 | pcs |
| W194 | 5050107109 | VITE M 10X25 TEF - FL/ZIGR 8.8 - | SCREW - M 10X25 TEF - FL/ZIGR 8.8 | 28 | pcs |
| W196 | 5050107020 | VITE M 10X25 TE | SCREW - M 10X25 TE | 1 | pcs |
| W197 | 4030108028 | GUARN. SUPP. MOTORE IDR. GRUPPO 4 | HYDRAULIC MOTOR SUPPORT GASKET - GR4 | 1 | pcs |
| W198 | 5051007001 | GRANO M 6X10 | DOWEL - M 6X10 | 3 | pcs |
| W199 | 4010606001 | COP. LAT. IN LAMIERA WPT 480 PER GARDA | HOUSING SIDE COVER - WPT 480/G | 1 | pcs |



WPT

| <i>Articolo</i> <i>(Article)</i> | <i>Codice</i> <i>(Code)</i> | <i>Descrizione</i> | <i>(Description)</i> | <i>Q.ty</i> | <i>Um</i> |
|-------------------------------------|--------------------------------|--|---|-------------|-----------|
| WP199 | 4010606002 | COP. LAT. IN LAMIERA WPT 600 PER GARDA | HOUSING SIDE COVER - WPT 600/G | 1 | pcs |
| WPT199 | 4010606003 | COP. LAT. IN LAMIERA WPT 720 PER GARDA | HOUSING SIDE COVER - WPT 720/G | 1 | pcs |
| W200/SP | 6010201030 | KIT REVIS. POMPA WPT-WPT/R 480 LONG LIFE | REBUILD KIT - WPT-WPT/R 480 LONG LIFE | 1 | pcs |
| WP200/SP | 6010201031 | KIT REVIS. POMPA WPT-WPT/R 600 LONG LIFE | REBUILD KIT - WPT-WPT/R 600 LONG LIFE | 1 | pcs |
| WPT200/SP | 6010201032 | KIT REVIS. POMPA WPT-WPT/R 720 LONG LIFE | REBUILD KIT - WPT-WPT/R 720 LONG LIFE | 1 | pcs |
| W200/SP/FR | 6010201033 | KIT REVISIONE POMPA WPT/FR 480 LONG LIFE | REBUILD KIT - WPT/FR 480 LONG LIFE | 1 | pcs |
| WP200/SP/FR | 6010201034 | KIT REVISIONE POMPA WPT/FR 600 LONG LIFE | REBUILD KIT - WPT/FR 600 LONG LIFE | 1 | pcs |
| WPT200/SP/FR | 6010201035 | KIT REVISIONE POMPA WPT/FR 720 LONG LIFE | REBUILD KIT - WPT/FR 720 LONG LIFE | 1 | pcs |
| W201 | 4011912013 | TAPPO CHIUSURA PASSAGGIO OLIO WPT | CAP FOR HOUSING V- WPT | 2 | pcs |
| W202 | 4030111004 | GUARN. VALVOLA REGOLAZIONE VUOTO STAR | DEPRESSION VALVE GASKET - STAR | 1 | pcs |
| W203 | 4010007035 | SOSTEGNO MANIGLIA UNI 707 STAR | SUPPORT FOR HANDLE UNI 707 STAR | 1 | pcs |
| W204 | 5060010020 | POMOLO LEVA SPECIALE UNI 707 M14X25 | HANDLE KNOB UNI 707 M14x25 | 2 | pcs |
| W205 | 4011912012 | PERNO MANIGLIA UNI 707 MEC 2/8000-STAR | HANDLE PIN UNI 707 MEC2/8000-STAR | 1 | pcs |
| W206 | 5050107022 | VITE M 10X40 TE | SCREW M 10X40 TE | 1 | pcs |
| W207 | 5050300009 | DADO AUTOBLOCCANTE M 10 | SELF-LOCKING NUT - M 10 | 1 | pcs |
| W208 | 4010801026 | MANIGLIA UNI 707 STAR | HANDLE UNI 707 STAR | 1 | pcs |
| W209 | 5090000050 | CILINDRO ROTATIVO PNEUMATICO DA 60 PLUS | PNEUM. REV. HOUSING - DA 60- PUMPS - PL | 1 | pcs |
| W210 | 4011001046 | SUPPORTO ATTUATORE PNEUM. STAR PLUS | PNEUM. REV. HOUSING SUPP. (PLUS) - STAR | 1 | pcs |



WPT

| <i>Articolo</i> (Article) | <i>Codice</i> (Code) | <i>Descrizione</i> | <i>(Description)</i> | <i>Q.ty</i> | <i>Um</i> |
|------------------------------|-------------------------|---|---------------------------------------|-------------|-----------|
| W211 | 4011907055 | GIUNTO COLLEGAMENTO SE-WPT | CONNECTOR JOINT - SE-WPT | 1 | pcs |
| W212 | 5051007012 | GRANO DI FERMO M 12X20 P.CIL. ATTUATORE | DOWEL - M 12X20 P.CIL. - REV. HOUSING | 4 | pcs |
| W213 | 5050107006 | VITE M 6X20 TE | SCREW M 6X20 TE | 4 | pcs |
| W214 | 5050207002 | RONDELLA D 6 | WASHER D 6 | 4 | pcs |
| R1 | 5080105007 | TUBO GUAINA D 14 | TUBE SHEAT - D 14 | 0,6 | m |
| R1/A | 5080105007 | TUBO GUAINA D 14 | TUBE SHEAT - D 14 | 0,7 | m |
| R1/B | 5080105007 | TUBO GUAINA D 14 | TUBE SHEAT - D 14 | 0,8 | m |
| R2 | 5040200005 | SPIA DI CONTROLLO WPT/STAR | CHECK LIGHT WPT | 2 | pcs |
| R3 | 5040303009 | RACCORDO DRITTO M 5X4 RILSAN | STRAIGHT CONNECTOR - M 5X4 RILSAN | 3 | pcs |
| R8 | 5050107067 | VITE M 6X30 TE | SCREW - M 6X30 TE | 2 | pcs |
| R9 | 5080004001 | FASCETTA STRINGITUBO D 15 - WPT | HOSE CLAMP - D 14 | 2 | pcs |
| R10 | 5080105001 | TUBO LUBRIFICAZIONE D 2X4 - RILSAN | LUBRICATION HOSE - D 2X4 | 0,82 | m |
| R10/A | 5080105001 | TUBO LUBRIFICAZIONE D 2X4 - RILSAN | LUBRICATION HOSE - D 2X4 | 0,92 | m |
| R10/B | 5080105001 | TUBO LUBRIFICAZIONE D 2X4 - RILSAN | LUBRICATION HOSE - D 2X4 | 1,02 | m |
| R11 | 5040303010 | RACCORDO DRITTO D 1/8"X4 RILSAN | STRAIGHT CONNECTOR - D 1/8"X4 RILSAN | 1 | pcs |
| R12/A | 5080105001 | TUBO LUBRIFICAZIONE D 2X4 - RILSAN | LUBRICATION HOSE - D 2X4 | 0,66 | m |
| R12/B | 5080105001 | TUBO LUBRIFICAZIONE D 2X4 - RILSAN | LUBRICATION HOSE - D 2X4 | 0,72 | m |
| R13/A | 5080105001 | TUBO LUBRIFICAZIONE D 2X4 - RILSAN | LUBRICATION HOSE - D 2X4 | 0,55 | m |



WPT

| <i>Articolo</i> <i>(Article)</i> | <i>Codice</i> <i>(Code)</i> | <i>Descrizione</i> | <i>(Description)</i> | <i>Q.ty</i> | <i>Um</i> |
|-------------------------------------|--------------------------------|---|----------------------------------|-------------|-----------|
| R13/B | 5080105001 | TUBO LUBRIFICAZIONE D 2X4 - RILSAN | LUBRICATION HOSE - D 2X4 | 0,49 | m |
| LW14 | 4010601057 | COPERCHIO POSTERIORE SUPP. POMPA LA WPT | LA PUMP SUPPORT BACK COVER - WPT | 1 | pcs |
| R15 | 5040303008 | RACCORDO D 1/8"X4X90° RILSAN | CONNECTOR - D 1/8"X4X90° RILSAN | 4 | pcs |
| R16 | 5080105001 | TUBO LUBRIFICAZIONE D 2X4 - RILSAN | LUBRICATION HOSE - D 2X4 | 0,31 | m |
| R20 | 5060605007 | TAPPO CARICO OLIO D 1"1/4 GAS | OIL PLUG - D 1"1/4 GAS | 1 | pcs |
| R23 | 5040303014 | RACCORDO PORTATUBO D 14 RA WPT | CONNECTOR - D 14 | 2 | pcs |
| R31 | 4030108011 | GUARN. POMPA OLIO L.A. | OIL PUMP GASKET - L.A. | 1 | pcs |
| LW32/D | 5080200036 | POMPA LA 2 MAND. AL DX IIS | OIL PUMP - LA 2 WAYS AL DX IIS | 1 | pcs |
| LW32/S | 5080200038 | POMPA LA 2 MAND. AL SX IIS | OIL PUMP - LA 2 WAYS AL SX IIS | 1 | pcs |
| R32/D | 5080200035 | POMPA LA 2 MAND. AC DX IIS | OIL PUMP - LA 2 WAYS AC DX IIS | 1 | pcs |
| R32/S | 5080200037 | POMPA LA 2 MAND. AC SX IIS | OIL PUMP - LA 2 WAYS AC SX IIS | 1 | pcs |
| R33 | 5050207002 | RONDELLA D 6 | SMOOTH WASHER - D 6 | 2 | pcs |
| R34 | 5050107005 | VITE M 6X16 TE | SCREW - M 6X16 TE | 2 | pcs |
| R37 | 5040303007 | RACCORDO D 1/8"X6X90° RILSAN | CONNECTOR - D 1/8"X6X90° RILSAN | 2 | pcs |
| R45 | 5080105002 | TUBO LUBRIFICAZIONE D 4X6 - RILSAN | SUCTION HOSE - D 4X6 | 0,32 | m |
| R45/A | 5080105002 | TUBO LUBRIFICAZIONE D 4X6 - RILSAN | SUCTION HOSE - D 4X6 | 0,34 | m |
| R45/B | 5080105002 | TUBO LUBRIFICAZIONE D 4X6 - RILSAN | SUCTION HOSE - D 4X6 | 0,37 | m |
| R47 | 5040200001 | RUBINETTO SERBATOIO OLIO D 1/4" GAS | OIL TANK DRAIN COCK - D 1/4" GAS | 1 | pcs |



WPT

| <i>Articolo</i> (Article) | <i>Codice</i> (Code) | <i>Descrizione</i> | <i>(Description)</i> | <i>Q.ty</i> | <i>Um</i> |
|------------------------------|-------------------------|--|-----------------------------------|-------------|-----------|
| R52/DX | 4011406001 | SERBATOIO OLIO WPT 480 DX | OIL TANK - WPT 480 RIGHT | 1 | pcs |
| R52/SX | 4011406004 | SERBATOIO OLIO WPT 480 SX | OIL TANK - WPT 480 LEFT | 1 | pcs |
| R52/A/DX | 4011406002 | SERBATOIO OLIO WPT 600-720 DX | OIL TANK - WPT 600-720 RIGHT | 1 | pcs |
| R52/A/SX | 4011406005 | SERBATOIO OLIO WPT 600-720 SX | OIL TANK - WPT 600-720 LEFT | 1 | pcs |
| R53 | 4010601053 | COPERCHIO LATERALE SUPP. SERB. WPT 480 | TANK SUPPORT SIDE COVER - WPT 480 | 1 | pcs |
| R53/A | 4010601054 | COPERCHIO LATERALE SUPP. SERB. WPT 600 | TANK SUPPORT SIDE COVER - WPT 600 | 1 | pcs |
| R53/B | 4010601055 | COPERCHIO LATERALE SUPP. SERB. WPT 720 | TANK SUPPORT SIDE COVER - WPT 720 | 1 | pcs |
| R54 | 5060105003 | LIVELLO OLIO COMPLETO SLV 127 | COMPLETE OIL LEVEL - SLV 127 | 1 | pcs |
| R67 | 4010006002 | GIUNTO DI COLLEGAMENTO L.F. | CONNECTOR JOINT - L.F. | 2 | pcs |
| R68/SX | 5080115001 | TUBO RAME D 14 | COPPER HOSE D 14 | 0,6 | m |
| R68/DX | 5080115001 | TUBO RAME D 14 | COPPER HOSE D 14 | 0,6 | m |
| R68/A/SX | 5080115001 | TUBO RAME D 14 | COPPER HOSE D 14 | 0,6 | m |
| R68/A/DX | 5080115001 | TUBO RAME D 14 | COPPER HOSE D 14 | 0,6 | m |
| R68/B/SX | 5080115001 | TUBO RAME D 14 | COPPER HOSE D 14 | 0,65 | m |
| R68/B/DX | 5080115001 | TUBO RAME D 14 | COPPER HOSE D 14 | 0,72 | m |
| LW68 | 5080105002 | TUBO LUBRIFICAZIONE D 4X6 - RILSAN | SUCTION HOSE - D 4X6 | 0,43 | m |
| R69 | 5050207003 | RONDELLA D 8 | SMOOTH WASHER - D 8 | 4 | pcs |
| LW69 | 5040407002 | RIDUZIONE D 1/2"X1/8" GAS | REDUCTION - D 1/2"X1/8" GAS | 1 | pcs |



WPT

| Articolo (Article) | Codice (Code) | Descrizione | (Description) | Q.ty | Um |
|-----------------------|------------------|---------------------------------------|--|------|-----|
| R70 | 5050107009 | VITE M 8X20 TE | SCREW - M 8X20 TE | 4 | pcs |
| R71 | 5080115001 | TUBO RAME D 14 | COPPER HOSE D 14 | 0,23 | m |
| R72 | 5040300001 | RACCORDO COMPLETO D 1/2"X14X90 RA WPT | COMPLETE CONNECTOR - D 1/2"X14X90 RA WPT | 6 | pcs |
| R73 | 5080005001 | FILTRO OLIO WPT LA | OIL FILTER - WPT LA | 1 | pcs |
| LW74 | 5050202004 | RONDELLA D 1/2" GAS ALLUMINIO | ALUMINIUM WASHER - D 1/2" GAS | 1 | pcs |
| R75 | 4040407001 | RIDUZIONE PORTAFILTRO WPT LA | FILTER REDUCTION - WPT LA | 1 | pcs |
| LW80/AD | 5080200026 | POMPA LA 3 MAND. AL DX IIS | OIL PUMP - LA 3 WAYS AL DX IIS | 1 | pcs |
| LW80/AS | 5080200028 | POMPA LA 3 MAND. AL SX IIS | OIL PUMP - LA 3 WAYS AL SX IIS | 1 | pcs |
| LW80/BD | 5080200030 | POMPA LA 4 MAND. AL DX IIS | OIL PUMP - LA 4 WAYS AL DX IIS | 1 | pcs |
| LW80/BS | 5080200032 | POMPA LA 4 MAND. AL SX IIS | OIL PUMP - LA 4 WAYS AL SX IIS | 1 | pcs |
| R95/AD | 5080200025 | POMPA LA 3 MAND. AC DX IIS | OIL PUMP - LA 3 WAYS AC DX IIS | 1 | pcs |
| R95/AS | 5080200027 | POMPA LA 3 MAND. AC SX IIS | OIL PUMP - LA 3 WAYS AC SX IIS | 1 | pcs |
| R95/BD | 5080200029 | POMPA LA 4 MAND. AC DX IIS | OIL PUMP - LA 4 WAYS AC DX IIS | 1 | pcs |
| R95/BS | 5080200031 | POMPA LA 4 MAND. AC SX IIS | OIL PUMP - LA 4 WAYS AC SX IIS | 1 | pcs |
| R96 | 5040303015 | RACCORDO DRITTO D 1/4"X6 RILSAN | CONNECTOR - R1 1/4"X6 | 1 | pcs |
| R99 | 5050202008 | RONDELLA D 17X22X1,5 ALLUMINIO | ALUMINIUM WASHER - D 17X22X1,5 | 1 | pcs |
| R100 | 6080200100 | POMPA RA WPT COMPLETA | COMPLETE COOLING PUMP - WPT/.R-FR | 1 | pcs |